



HBP-3000-4-3 BLOWER PURGE DESICCANT AIR DRYER GENERAL ARRANGEMENT

TOLERANCES UNLESS
OTHERWISE SPECIFIED:

- FRACTIONS = ± 1/4 "
- ANGLES = ± 3°
- INCHES = ± 1/2 "
- FINISH = 250

THE SPECIFICATIONS AND DRAWINGS DISCLOSED HEREIN ARE THE SOLE PROPERTY OF ENGINEERED AIR PRODUCTS, LLC,
AND SHALL NOT BE COPIED OR USED AS THE BASIS FOR SALE OR MANUFACTURE WITHOUT EXPRESS WRITTEN PERMISSION.

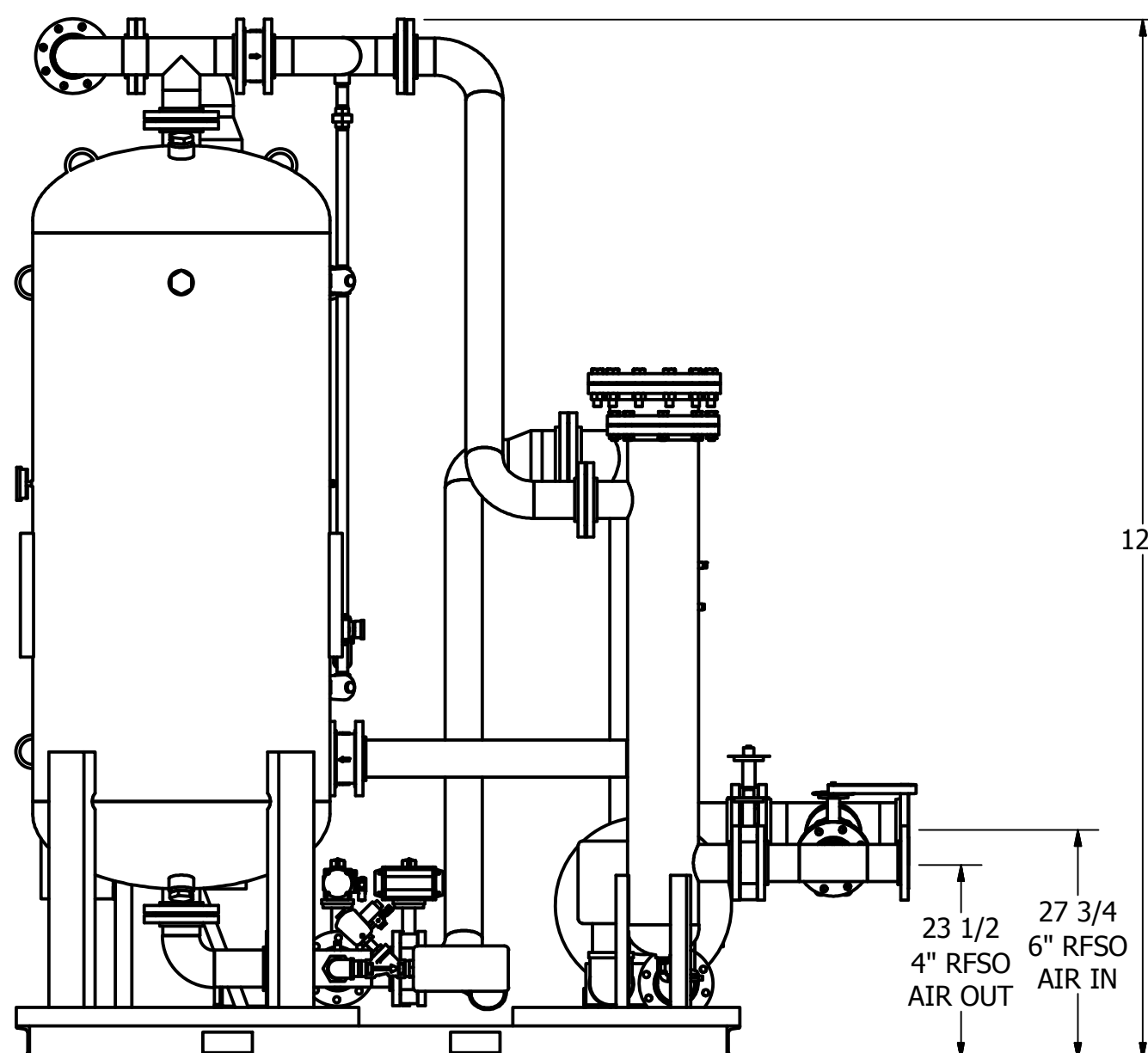
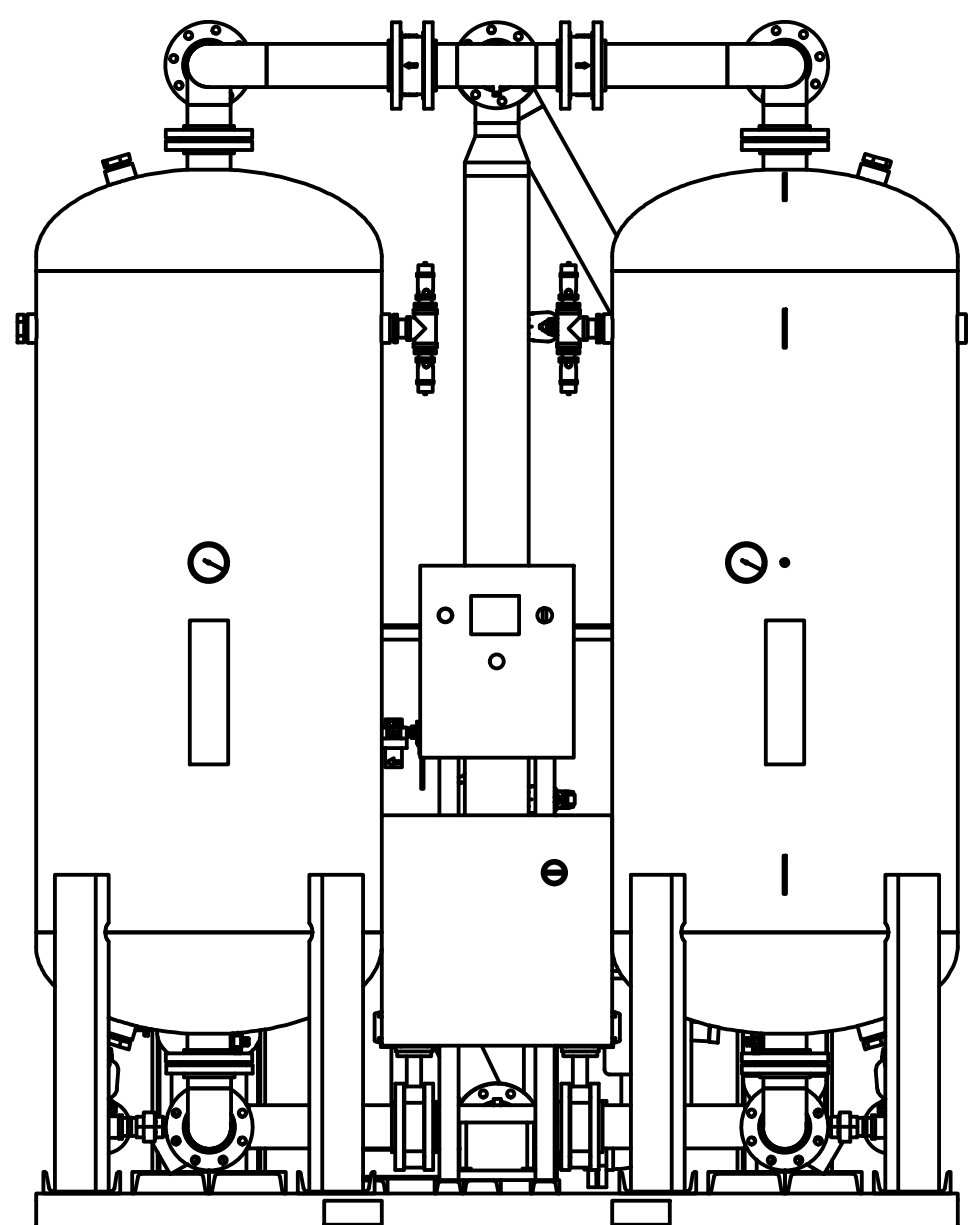
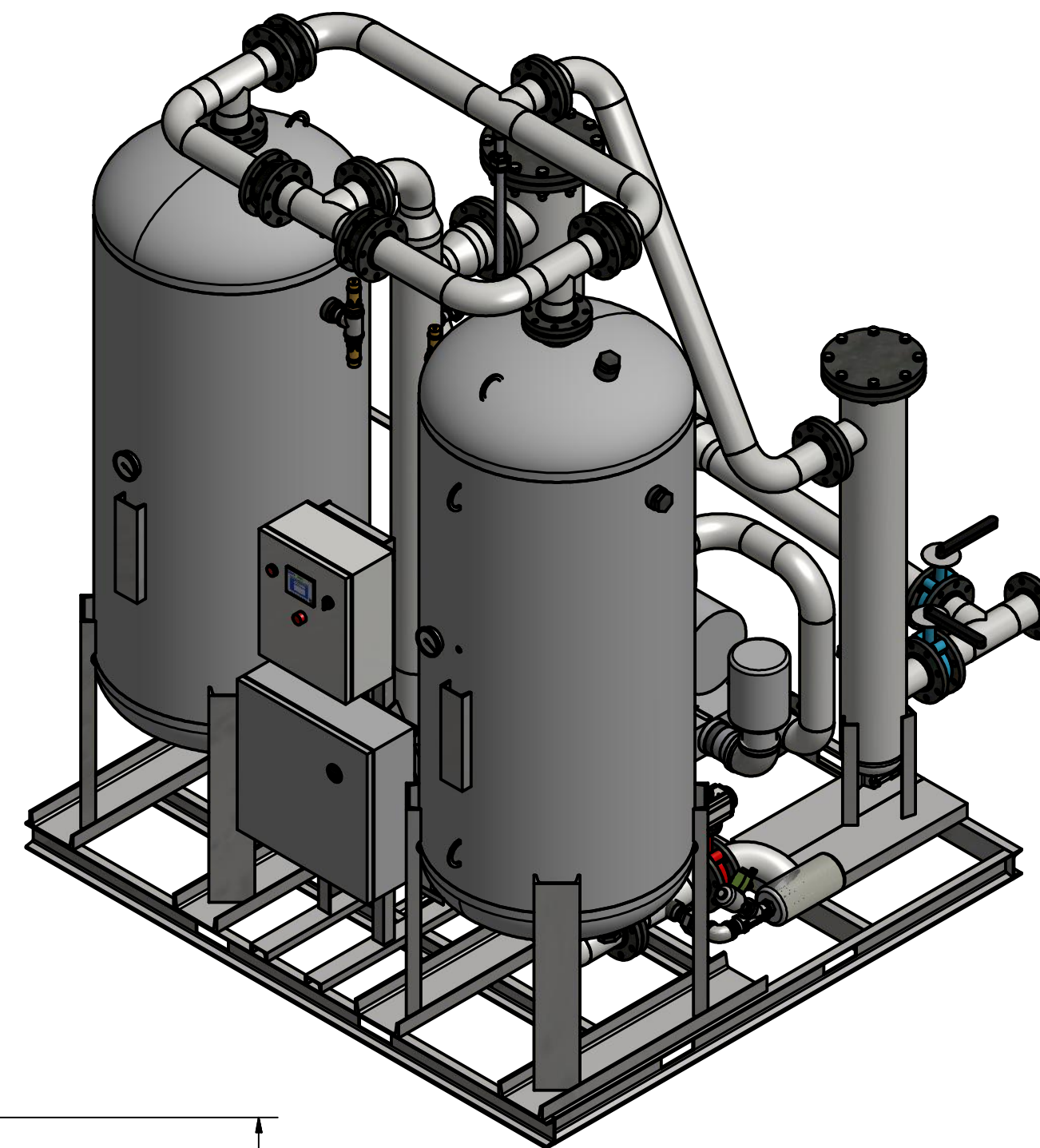
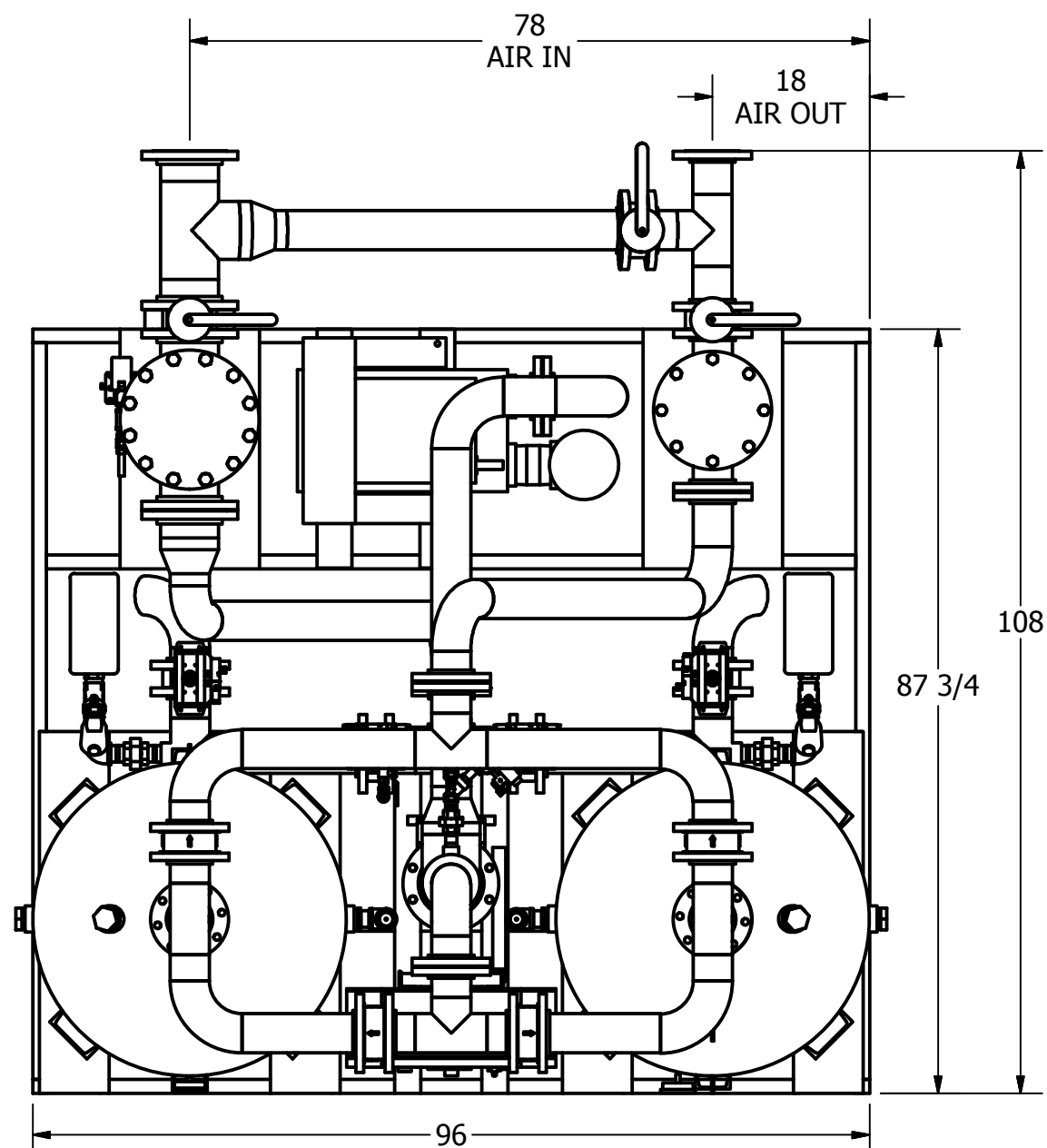
REVISION LOG

REV.	ECO.	DESCRIPTION	DATE	APPROVED
B	0935	PRODUCTION UPDATES	1/16/2020	WS

DRAWING NO. **AT20-962** REV. **B**

DRAWN: WS DATE: 9/19/2017
CHECKED: DATE:

SCALE: N/A SHEET: 1 OF 2



PRELIMINARY



HBP-3000-4-3 BLOWER PURGE DESICCANT AIR DRYER GENERAL ARRANGEMENT

TOLERANCES UNLESS
OTHERWISE SPECIFIED:

- FRACTIONS = ± 1/4 "
- ANGLES = ± 3°
- INCHES = ± 1/2 "
- FINISH = 250

THE SPECIFICATIONS AND DRAWINGS DISCLOSED HEREIN ARE THE SOLE PROPERTY OF ENGINEERED AIR PRODUCTS, LLC, AND SHALL NOT BE COPIED OR USED AS THE BASIS FOR SALE OR MANUFACTURE WITHOUT EXPRESS WRITTEN PERMISSION.

REVISION LOG

REV.	ECO.	DESCRIPTION	DATE	APPROVED
B	0935	PRODUCTION UPDATES	1/16/2020	WS

DRAWING NO. **AT20-962** REV. **B**

DRAWN: WS DATE: 9/19/2017
CHECKED: DATE:

SCALE: N/A SHEET: 2 OF 2

PARTS LIST

ITEM	QTY	DESCRIPTION
1	2	CHECK VALVE, PURGE
2	2	CHECK VALVE, OUTLET
3	1	ANGLE BODY VALVE, REPRESS
4	1	DEW POINT MONITOR (OPTIONAL)
5	1	PRESSURE REGULATOR, CONTROL
6	1	PRESSURE GAUGE, CONTROL
7	1	PARTICULATE FILTER, CONTROL
8	1	ANGLE BODY VALVE, 2%
9	1	COALESCER PRE-FILTER
10	2	RELIEF VALVE, TANK
11	1	55 KW HEATER
12	2	PRESSURE GAUGE, TANK
13	1	ZERO LOSS DRAIN
14	2	BUTTERFLY VALVE, INLET
15	2	ANGLE BODY VALVE, PRE-EXHAUST
16	2	MUFFLER, PRE-EXHAUST
17	2	BUTTERFLY VALVE, EXHAUST
18	1	PARTICULATE AFTER-FILTER
19	1	15 HP BLOWER
20	1	INTAKE FILTER, BLOWER
21	3	MANUAL BUTTERFLY VALVE, BYPASS
22	4500 LBS	DESICCANT

PRELIMINARY

